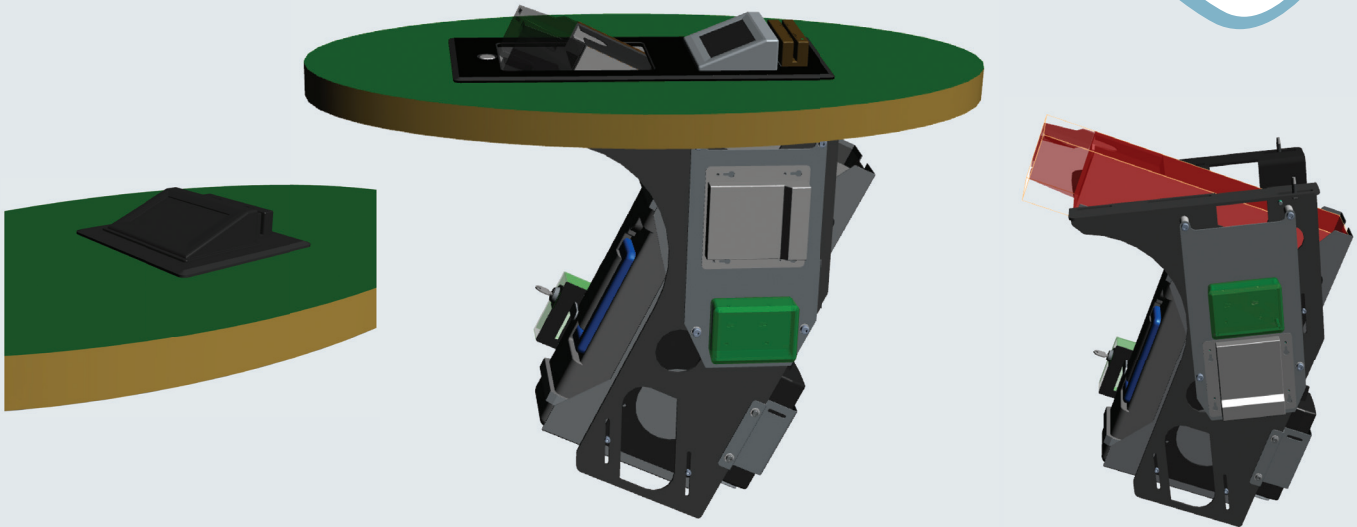


SYSTEM TABLEXCHANGE®

TableXchange®
Plus



EMBEDDED TABLE CURRENCY ACCOUNTING & TICKETING SOLUTIONS

BASED ON JCM GLOBAL'S MARKET LEADING TECHNOLOGY, TableXchange Plus provides a secure, easy to install, intelligent drop box solution for table operations with the option to extend the benefits of TITO across live table games. All table 'Buy In' transactions are reported directly to the TBX+ server, accurately in real time, allowing decision makers to analyse performance by table, pit or across the whole casino floor at any time, with the option to enhance the existing Table & Cage Management Systems.

TableXchange Plus hardware installed at the gaming tables includes an easy to use touchscreen interface that allows dealers to undertake Buy In transactions with minimal impact on existing procedures or game play, as well as JCM note validation technology capable of validating up to 50 notes/tickets at a time. The optional ticketing module uses JCM's GEN2U printers to extend the existing slot TITO system across the live table operation.

TableXchange Plus provides the accuracy, security and accountability that allow casinos to fully optimise their table game operations.



Watch our
Product Demo

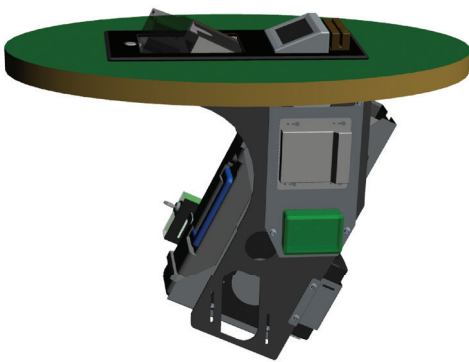
GENERAL SPECIFICATION

FEATURES

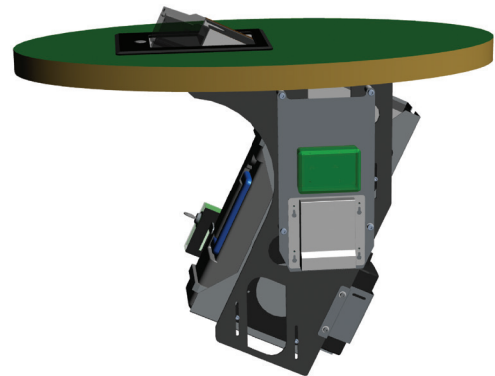
- Modular design providing innovative & flexible table based hardware solutions
- Secure Drop Box function for live tables
- Bulk note validation, using market leading technology
- Optional Ticketing module using GEN2U ticket printers
- Easy to use interface for Buy In & Cash Out transactions at the table
- Buy In/Cash Out Transaction, Drop & Performance Reports for entire table operation
- Table Drop provides accurate Table Drop accounting meters

BENEFITS

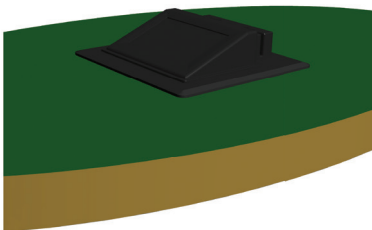
- Install Secure Drop Box and add the TITO module at a later date
- Enhance security by tracking all currency from Player Buy In thru to the Count Room and eliminating the threat of counterfeit notes
- Optimise table operations analysing performance by Table, Pit or entire floor, using real time Buy In & Cash Out data
- Reduce chip movement and optimise the Cage Operation by extending TITO across live table games
- Reduce time taken for the Table Count with notes & tickets already stacked
- Based on proven and market leading JCM Note Validation and Printer technology



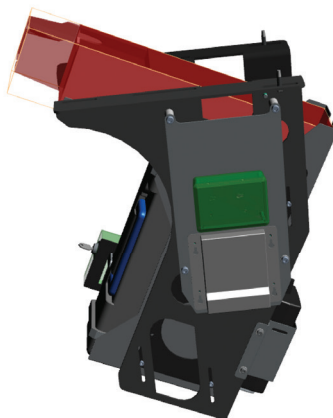
TBX+ TBV ASSEMBLY WITH SINGLE TABLE TOP PLATE INCLUDING RAISED SCREEN & CARD READER



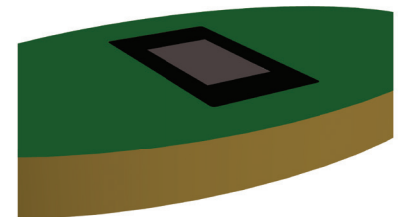
TBX+ TBV ASSEMBLY WITH TBV ONLY TABLE TOP PLATE



TBX RAISED USER DISPLAY PLATE



TBV MOUNTING BRACKET



TBX+ FLAT USER DISPLAY PLATE



JCM Europe GmbH
Mundelheimer Weg 60
D-40472 Dusseldorf,
Germany
Tel: +49 211 530645-0

Japan Cash Machine Co., Ltd
N2-23-2, Higashi Nihonbashi,
Chuo-ku
Tokyo 103-0004, Japan
Tel: +81-3-5962-3731

JCM American Corporation
925 Pilot Road
Las Vegas, NV 89119, USA
Tel: +01 800-683-7248
(800# for USA, Canada & Mexico)
Tel: +01 702-651-0000

FOLLOW US ON



JCM Global, JCM Global logo, and other marks used herein are trademarks and registered trademarks of Japan Cash Machine Co., Ltd. and JCM American Corporation. Additional marks are registered trademarks of their respective owners. JCM Global reserves the right to change product specifications without notice.

Find out more at
www.jcmglobal.de

